

HIGH RESOLUTION SCALE HY10.HRP.H



release date: 16-03-2018



HY10.HRP.H the series of professional high resolution weighing platforms, perfectly suits every single branch of industry requiring great weighing accuracy, precision and repeatability of measurement in challenging industrial environment.

Automatic adjustment performed by means of an internal adjustment weight guarantees the highest quality of operation and repeatability of measurement. In comparison to manual adjustment process the automatic one is both, time-saving and convenient.

HY10.HRP.H scale features OH18N9 stainless steel design (including the weighing pan).

HRP.Y high resolution weighing platforms are equipped with the following interfaces:

2×RS 232, 2×USB, 1×Ethernet, 4×IN / 4×OUT, optionally upon request (3rd Rs232).

Data safety and archiving is assured by software dedicated for RADWAG terminals.

Features:

- ✓ Brand new construction of the electromagnetic mechanism housed in a stainless steel tight casing,
- ✓ Protection against overloading,
- ✓ Inbuilt system of adjustment, by means of an internal weight,
- ✓ High ingress protection – IP67 construction, IP 68/69 indicator
- ✓ Interfaces: 2×RS232, 2×USB, 1×Ethernet and dedicated 4 IN and 4 OUT, enabling cooperation with peripheral devices.

Technical specification:

	HY10.16.HRP.H	HY10.32.HRP.H	HY10.62.HRP.H	HY10.120.HRP.H
Max capacity [Max]	16 kg	32 kg	62 kg	120 kg
Minimum load [Min]	5 g	5 g	25 g	50 g
Reading unit [d]	0,1 g	0,1 g	0,5 g	1 g
Tare range	-16 kg	-32 kg	-62 kg	-120 kg
Preload range	4 kg	4 kg	30 kg	10 kg
Repeatability *	0,1 g	0,1 g	0,3 g	0,6 g
Linearity	± 0,1 g	± 0,3 g	± 1 g	± 1 g
Weighing pan	360 × 280 mm	360 × 280 mm	500×500 mm	500×500 mm
Working temperature	+10° ÷ +40 °C			
Relative humidity **	40% ÷ 80%			
IP rate	IP 66/67 construction, IP 68/69 terminal			
Housing	Construction: stainless steel, weighing pan: stainless steel			
Stabilization time ***	~ 2 s		~ 3 s	
Sensitivity drift	2 ppm/°C in temperature +10° ÷ +40°C			
LCD display	10,1" touch panel			
Standard interfaces	2×RS 232, 2×USB, 1×Ethernet, 4 IN / 4 OUT			
Optional interfaces	Module 12 × IN / 12 × OUT, Module AN, Module PROFIBUS, Module CAN Open, Wireless Module, RS485			
Power supply	100÷240 V AC 50÷60 Hz			
Adjustment	internal			
Net weight / Gross weight	20,5 kg / 24,5 kg		37 kg / 47 kg	
Platform dimensions	365×312×138,5 mm		513×500×150 mm	
Platform/terminal packaging dimensions	550×463×350 mm / 415×345×225 mm		700×700×295 mm / 415×345×225 mm	

* - Repeatability is expressed as a standard deviation from 10 weighing cycles

** - Non-condensing conditions

*** - Optimal ambient conditions

Technical specification:

	HY10.150.HRP.H	HY10.300.HRP.H	HY10.300.1.HRP.H	HY10.600.HRP.H	HY10.1100.HRP.H
	-	-	-	-	-
Max capacity [Max]	150 kg	300 kg	300 kg	600 kg	1100 kg
Minimum load [Min]	50 g	100 g	100 g	250 g	500 g
Reading unit [d]	1 g	2 g	2 g	5 g	10 g
Tare range	-150 kg	-300 kg	-300 kg	-600 kg	-1100 kg
Preload range	30 kg	60 kg	60 kg	60 kg	100 kg
Repeatability *	1,5 g	3 g	3 g	7,5 g	15 g
Linearity	± 3 g	± 6 g	± 6 g	± 15 g	± 30 g
Weighing pan	800 × 600 mm	800 × 600 mm	1000 × 800 mm	1000 × 800 mm	1000 × 800 mm
Working temperature	+10° ÷ +40 °C				
Relative humidity **	40% ÷ 80%				
IP rate	IP 66/67 construction, IP 68/69 terminal				
Housing	Construction: stainless steel, Weighing pan: stainless steel				
Stabilization time ***	~ 3 s				
Sensitivity drift	2 ppm/°C in temperature +10° ÷ +40°C				
LCD display	10,1" touch panel				
Standard interfaces	2×RS 232, 2×USB, 1×Ethernet, 4 IN / 4 OUT				
Optional interfaces	Module 12 × IN / 12 × OUT, Module AN, Module PROFIBUS, Module CAN Open, Wireless Module, RS485				
Power supply	100÷240 V AC 50÷60 Hz				
Adjustment	internal				
Net weight / Gross weight	71,5 kg / 119 kg		126 kg / 160 kg		
Platform dimensions	808×600×173 mm		1011×800×175 mm		
Platform/terminal packaging dimensions	1000×800×307 mm / 415×345×225 mm		1200×1000×328 mm / 415×345×225 mm		

* - Repeatability is expressed as a standard deviation from 10 weighing cycles

** - Non-condensing conditions

*** - Optimal ambient conditions

Technical specification:**HY10.2000.HRP.H**

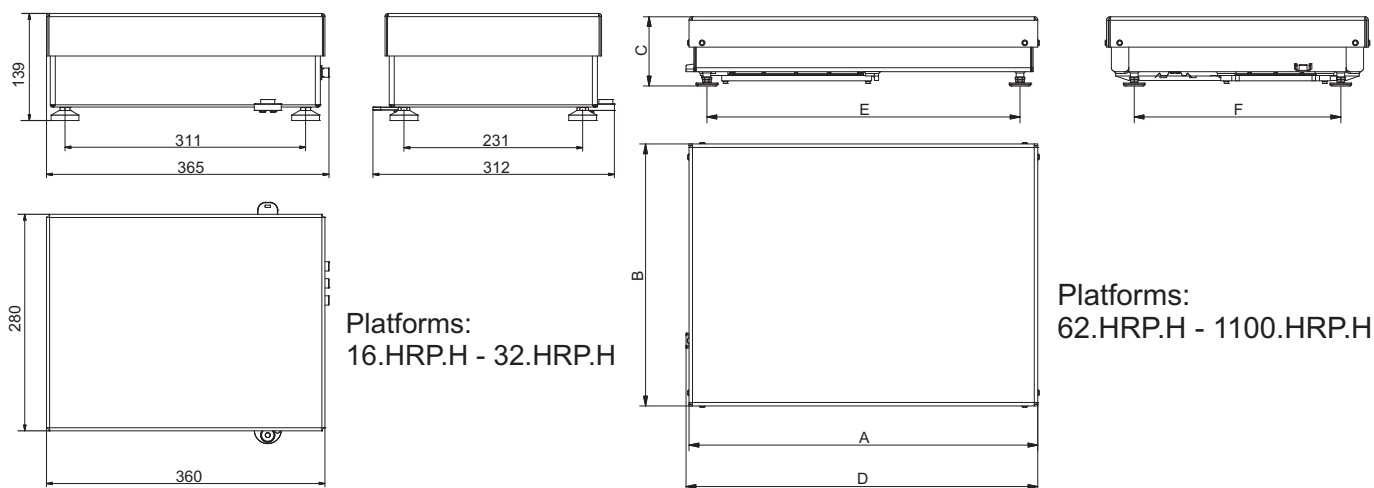
	HY10.2000.HRP.H
	-
Max capacity [Max]	2000 kg
Minimum load [Min]	1000 g
Reading unit [d]	20 g
Tare range	-2000 kg
Preload range	200 kg
Repeatability *	30 g
Linearity	± 60 g
Weighing pan	1250 × 1000 mm
Working temperature	+10° ÷ +40 °C
Relative humidity **	40% ÷ 80%
IP rate	IP 66/67 construction, IP 68/69 terminal
Housing	Construction: stainless steel, Weighing pan: stainless steel
Stabilization time ***	~ 3 s
Sensitivity drift	2 ppm/°C in temperature +10° ÷ +40°C
LCD display	10,1" touch panel
Standard interfaces	2×RS 232, 2×USB, 1×Ethernet, 4 IN / 4 OUT
Optional interfaces	Module 12 × IN / 12 × OUT, Module AN, Module PROFIBUS, Module CAN Open, Wireless Module, RS485
Power supply	100÷240 V AC 50÷60 Hz
Adjustment	internal
Net weight / Gross weight	300 kg / 425 kg
Platform dimensions	1250×1000×235 mm
Platform/terminal packaging dimensions	1500×1250×613 mm / 415×345×225 mm

* - Repeatability is expressed as a standard deviation from 10 weighing cycles

** - Non-condensing conditions

*** - Optimal ambient conditions

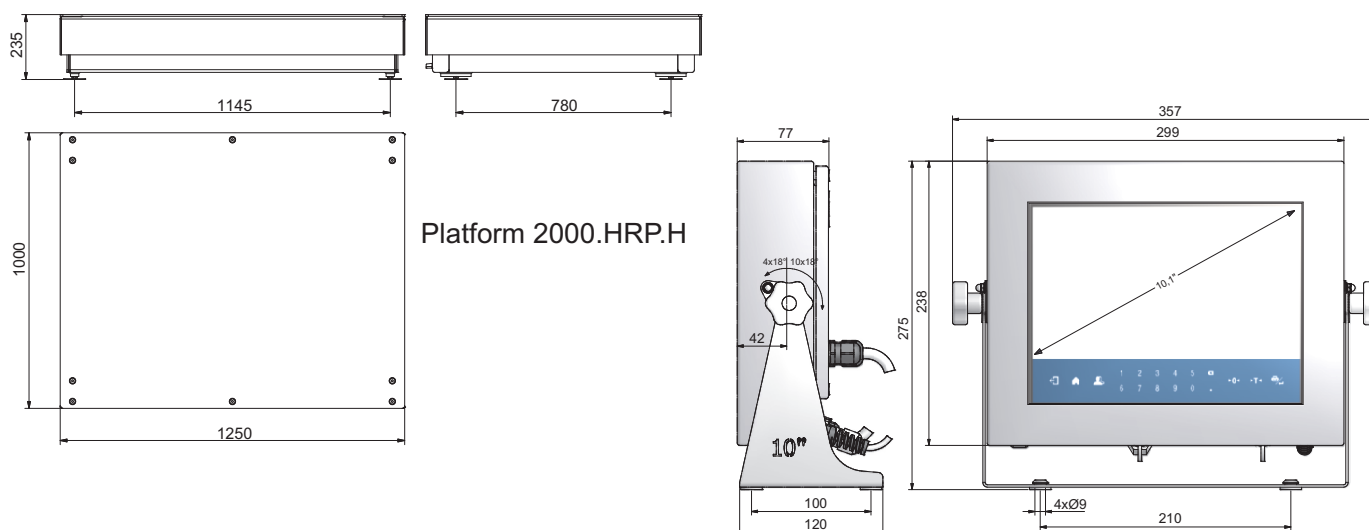
Dimensions:



Platforms:
16.HRP.H - 32.HRP.H

Platforms:
62.HRP.H - 1100.HRP.H

Model	A	B	C	D	E	F
HY10.62.HRP.H	500	500	147	513	448	400
HY10.120.HRP.H	500	500	147	513	448	400
HY10.150.HRP.H	800	600	159	809	720	475
HY10.300.HRP.H	800	600	164	809	720	475
HY10.300.1.HRP.H	1000	800	176	1011	926	611
HY10.600.HRP.H	1000	800	176	1011	926	611
HY10.1100.HRP.H	1000	800	176	1011	926	611



Platform 2000.HRP.H

Additional equipment:

Impact printers:

EPSON TM-U220D – standard version
 EPSON TM-U220B – with an autocutter
 EPSON TM-U220A – with an autocutter and a copy-winder

Label printers:

ZEBRA GK 420d
 ZEBRA GK 420t
 ZEBRA GX 420t
 ZEBRA GX 430t
 ZEBRA ZT 220
 ZEBRA ZT 41042

Transponder card readers:

CK-01/3
 CK-02/3

Barcode scanners:

LS2208 – intended for standard operating conditions, standard version
 PowerScan D8330 – intended for severe operating conditions IP56
 PowerScan M8300 – intended for severe operating conditions IP56 cordless system

CABLES:

PT0087 – for EPSON and other printers on USB
 PT0212 – straight-thru Ethernet cable with RJ45 connector

SOFTWARE:

„R-LAB“ PC Software
 „MWMH-Manager“ PC Software
 RADWAG Remote Desktop